

INSTALLATION INSTRUCTIONS FOR INSTALLING A BOTTOM TRIM PANEL REPLACEMENT KIT IN A NATIONAL VENDORS®, CROWN SEVENTY TWO®, DESIGNER SERIES ECM-72 ELECTRIC CANDY OR CANDY/SNACK MERCHANDISER OR EPM-72 ELECTRIC PASTRY MERCHANDISER EQUIPPED WITH THE EARLY STYLE "NOTCHED" BOTTOM TRIM PANEL

These instructions cover the procedure for installing a Bottom Trim Panel Replacement Kit in a Crown Seventy Two®, Designer Series ECM-72 Electric Candy or Candy/Snack Merchandiser or EPM-72 Electric Pastry Merchandiser equipped with the early style "notched" Bottom Trim Panel.

Read these instructions carefully and thoroughly before installing the Kit. Retain these instructions for part number and installation information.

This Kit replaces the early style Bottom Trim Panel with the current style Bottom Trim Panel. The current style Bottom Trim Panel can be removed from the Merchandiser quite easily by removing only one Door Side Trim.

These instructions apply to three Kits. The Kits are the same with the exception of the color of the Bottom Trim Panel. Kit, Part Number 130-2473, contains the following parts:

Part Number	Description	Quantity
130-2454	Blue Fleece Bottom Trim Panel	1
130-2457	Lower Right Door Trim	1
130-2458	Lower Left Door Trim	1
222-2110	Trim "T" Bolt	4
9900-081	No.8-32 Nut W/LW	4
130-2472	Installation Instructions * * *	1

Kit, Part Number 130-2474, contains the following parts:

Part Number	Description	Quantity
130-2455	Green Fleece Bottom Trim Panel	1
130-2457	Lower Right Door Trim	1
130-2458	Lower Left Door Trim	1
222-2110	Trim "T" Bolt	4
9900-081	No.8-32 Nut W/LW	4
130-2472	Installation Instructions * * *	1

Kit, Part Number 130-2475, contains the following parts:

Part Number	Description	Quantity
130-2456	Yellow Fleece Bottom Trim Panel	1
130-2457	Lower Right Door Trim	1
130-2458	Lower Left Door Trim	1
222-2110	Trim "T" Bolt	4
9900-081	No.8-32 Nut W/LW	4
130-2472	Installation Instructions * * *	1

TO INSTALL THE KIT

A. PARTS REMOVAL

1. Unlock and open the Cabinet Door.
2. Remove the Left and Right Sanitation Filler Strip from the inside bottom of the Cabinet Door. See Figure 1.
3. Remove two No.8-32 Nuts W/LW, the Lower Right Door Trim, and two Trim "T" Bolts from the Cabinet Door. Retain the Trim "T" Bolts and Nuts. See Figure 1.
4. Remove and retain a No.8-32 Nut W/LW attaching the Cabinet Harness Wire Clamp to the Trim "T" Bolt securing the Lower Left Door Trim.
5. Remove two No.8-32 Nuts W/LW, the Lower Left Door Cabinet Door. Retain the Trim "T" Bolts and Nuts. See Figure 1.
6. Remove and retain nine No.6x 7/16 Round Head Sheet Metal Screws and either Door Side Trim from the Cabinet Door. See Figure 1.
7. Remove and retain five No.6 x 7/16 Round Head Sheet Metal Screws and the Door Bottom Trim from the Cabinet Door. See Figure 1.
8. Loosen the bottom three Screws securing the Door Side Trim on the Cabinet Door.
9. Remove the Bottom Trim Panel from the Cabinet Door. See Figure 1.

B. INSTALLATION OF THE KIT

1. Install the Door Bottom Trim, removed in Step A-7, back on the Cabinet Door using the five No.6 x 7/16 Round Head Sheet Metal Screws also removed in Step A-7. Do not tighten the Screws. Be sure the Door Bottom Trim is installed with the slot slanting up as shown in View A of Figure 2.
2. Slide the Bottom Trim Panel, included in the Kit, in place on the Cabinet Door. See Figure 2.
3. Attach the Lower Left Door Trim, Part Number 130-2458, to the Cabinet Door using four Trim "T" Bolts, Part Number 222-2110, and four No.8-32 Nuts W/LW, Part Number 9900-081, all parts included in the Kit. Do not tighten the Nuts. See Figure 2.
4. Attach the Lower Right Door Trim, Part Number 130-2457, included in the Kit, to the Cabinet Door using four Trim "T" Bolts and four No.8-32 Nuts W/LW removed in Steps A-3 and A-5. Do not tighten the Nuts. See Figure 2.
5. Install the Door Side Trim, removed in Step A-6, or the Cabinet Door using the nine No.6 x 7/16 Round Head Sheet Metal Screws also removed in Step A-6. Do not tighten the Screws. See Figure 2.
6. Position all the parts installed in Step B-1 through B-5 correctly on the Cabinet Door then tighten all Screws and Nuts including the three Screws loosened in Step A-8. Be sure there are no gaps around the Bottom Trim Panel and that all Trim Mouldings are flush with each other.
7. Attach the Cabinet Harness Wire Clamp to a Trim "T" Bolt securing the Lower Left Door Trim using the No.8-32 Nut W/LW removed in Step A-4.
8. Install the Left and Right Sanitation Filler Strip, removed in Step A-2, back on the inside bottom of the Cabinet Door by placing the slanted flange on the Filler Strip inside the Door Channel. Press down on the top of the Filler Strip to snap in place. See View B of Figure 2.
9. Close and lock the Cabinet Door.

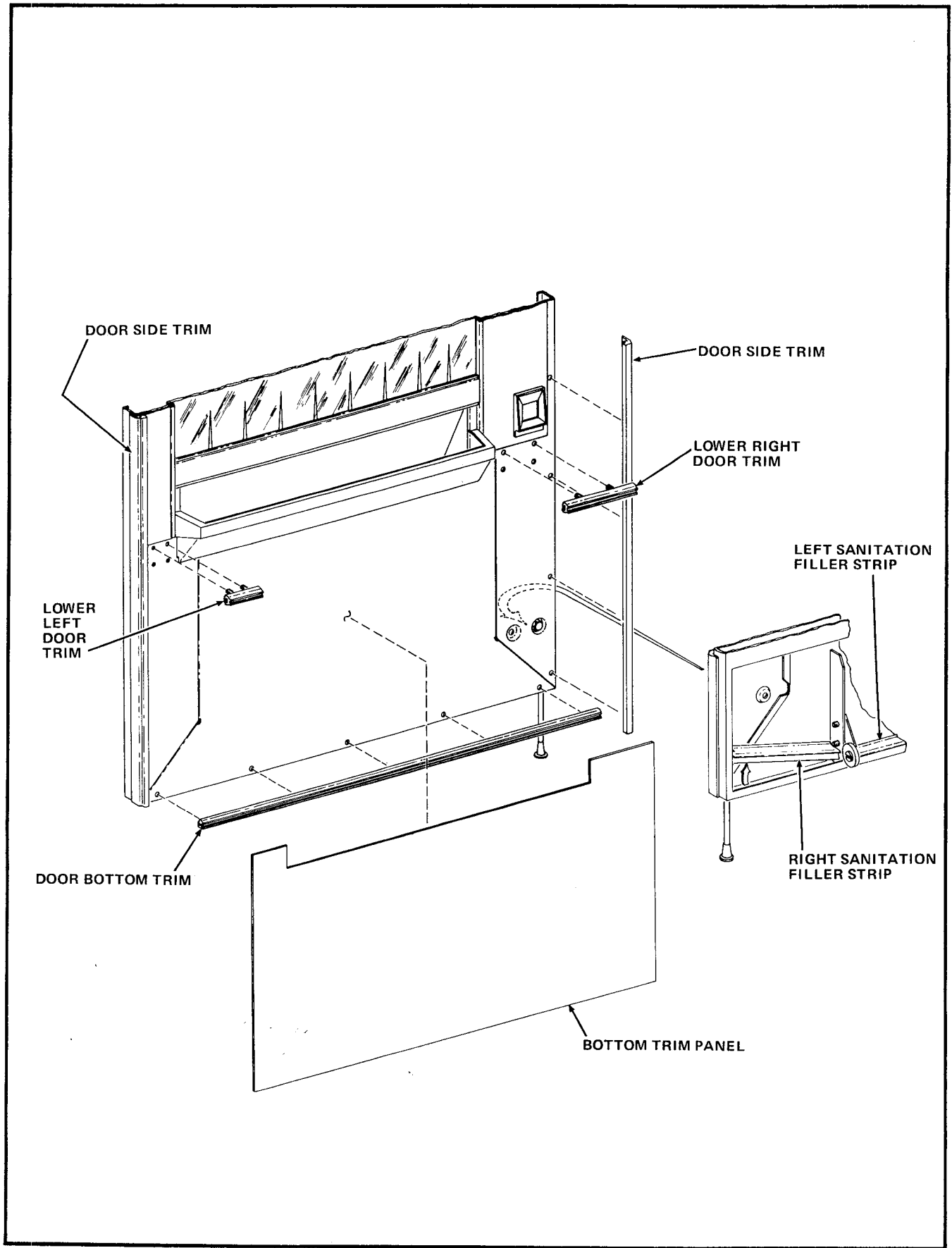


FIGURE 1

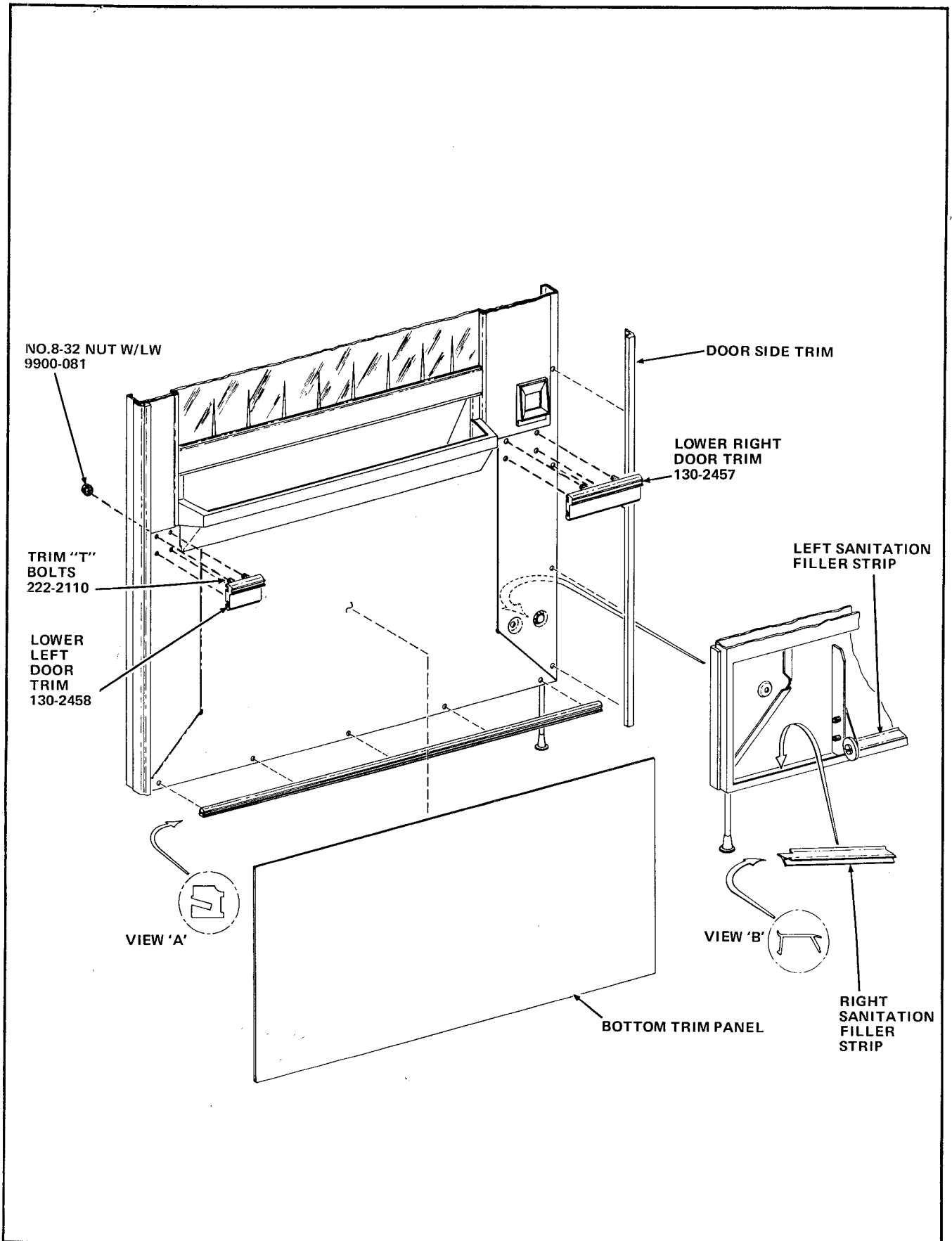


FIGURE 2